

Model 110

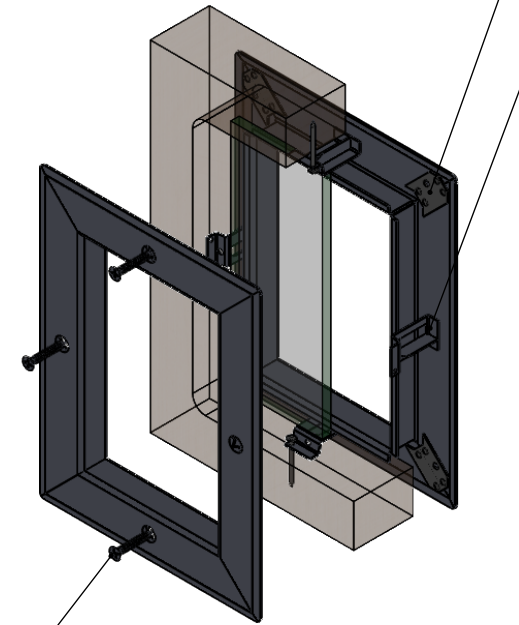
- Fire-rated, low profile.
- Integral threaded nut positions glass for quick installation.
- Fasteners hidden on one face of frame.
- Maximum pocket is 1.125" in 1.75" door.



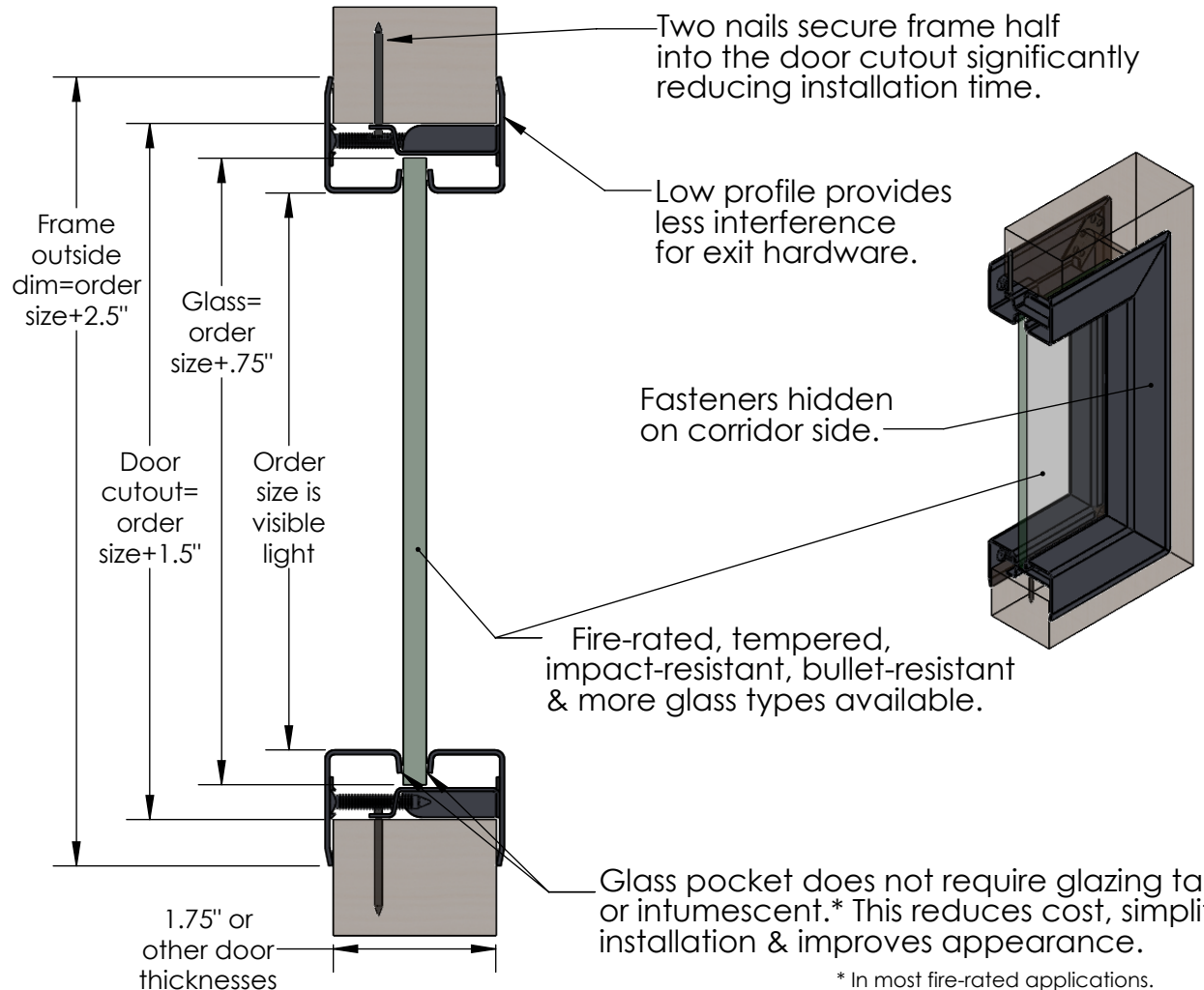
This frame may be installed with most fire-rated glazing material that has approval for conformance to ANSI/UL 10B, ANSI/UL 10C, NFPA 80, NFPA 252, or CAN/ULC S104. Contact AMS for frames intended for use with resistive glass.

Welded stiffener reduces flex.

Threaded nut accepts sheet metal screw, positions glass in the door cutout & provides tamper-resistance from corridor side.



Sheet metal screws included.



Materials & Finish

- 18 ga mild steel standard.
- Galvanized or stainless steel available.
- Extremely durable powder coating.
- Beige, gray & dark bronze standard.
- RAL & custom colors available.
- Real wood veneer.